

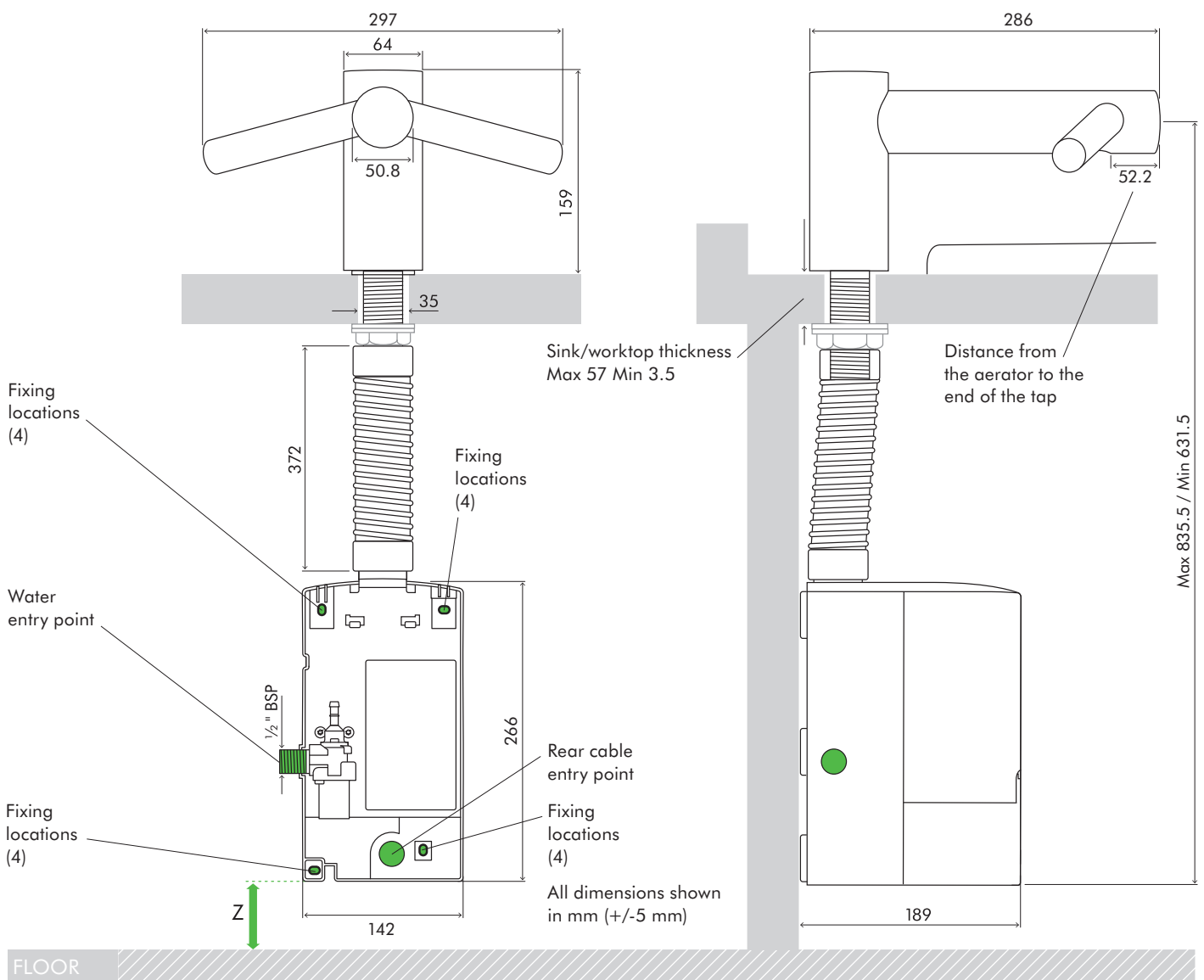
TECHNICAL SPECIFICATION

AB AB AB
09 10 11



FRONT ELEVATION

SIDE ELEVATION



Tap dimensions

AB09 Height 159 mm Width 297 mm Depth 286 mm

Motor bucket dimensions

AB09 Height 266 mm Width 142 mm Depth 189 mm

Minimum clearance

Z 100 mm clearance from floor

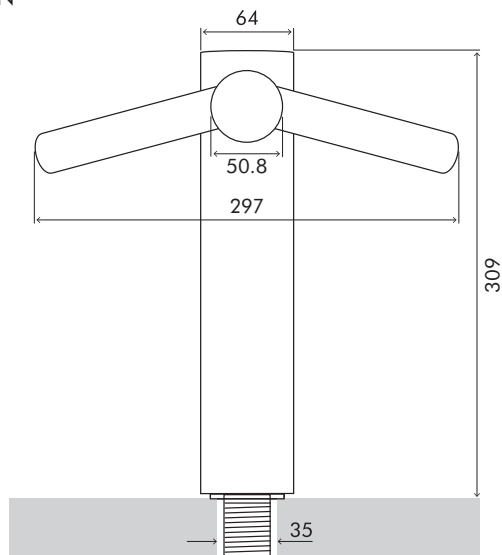
dyson airblade tap

TECHNICAL SPECIFICATION

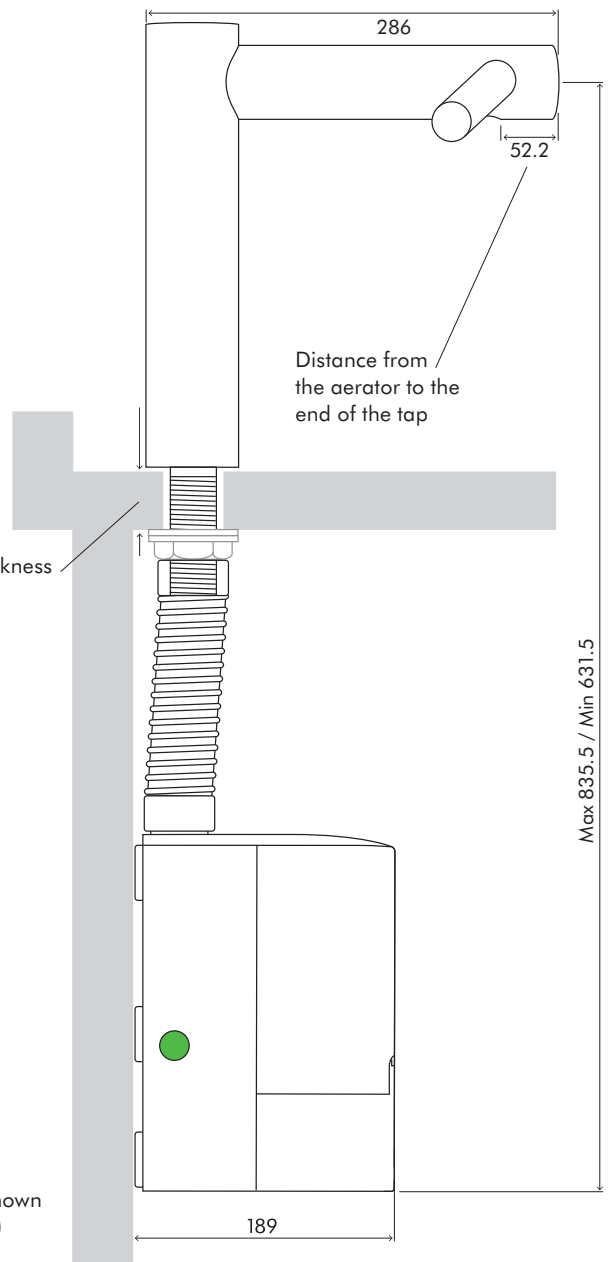


AB 09 AB 10 AB 11

FRONT ELEVATION



SIDE ELEVATION



Fixing locations (4)

Water entry point

Fixing locations (4)



Fixing locations (4)

Sink/worktop thickness
Max 57 Min 3.5

Rear cable entry point

Fixing locations (4)

All dimensions shown in mm (+/-5 mm)

FLOOR

Tap dimensions

AB10 Height 309 mm Width 297 mm Depth 286 mm

Motor bucket dimensions

AB10 Height 266 mm Width 142 mm Depth 189 mm

Minimum clearance

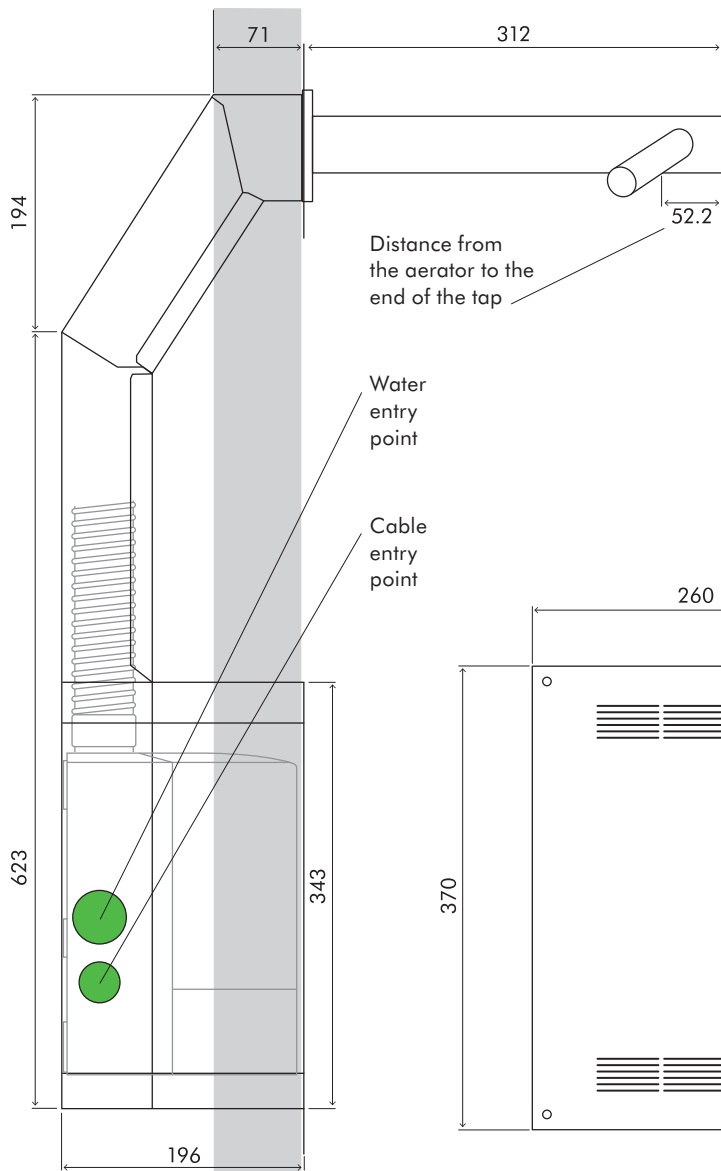
Z 100 mm clearance from floor

TECHNICAL SPECIFICATION

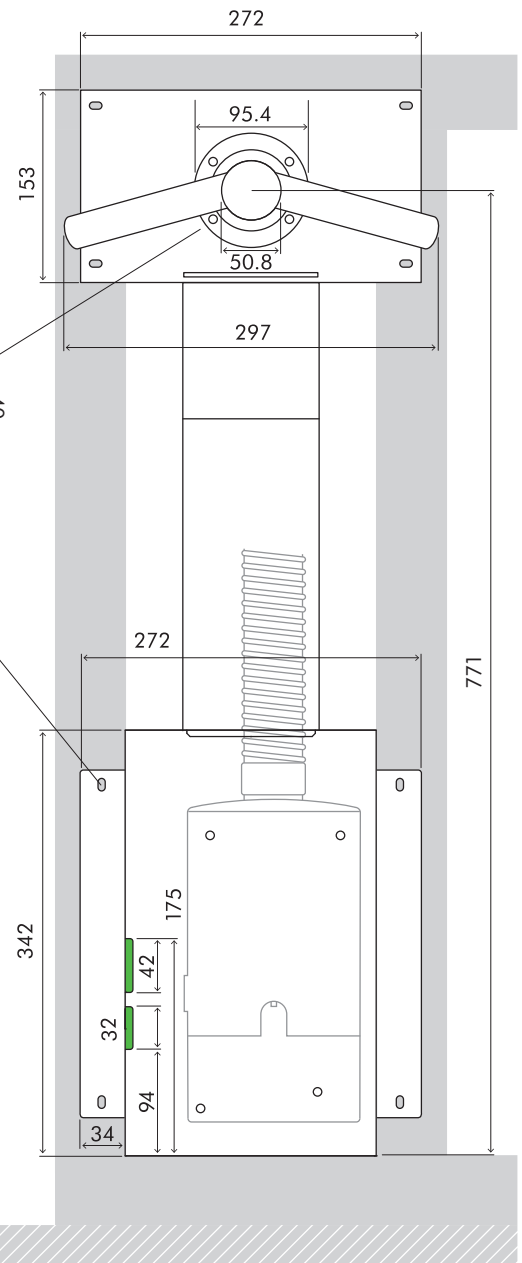
AB AB AB
09 10 11



SIDE ELEVATION



FRONT ELEVATION



FLOOR

Tap dimensions

AB11 Length 312 mm Width 297 mm

Motor bucket dimensions

AB11 Height 266 mm Width 142 mm Depth 189 mm

TECHNICAL SPECIFICATION

AB AB AB
09 10 11



AB11 installation

The Dyson Airblade Tap hand dryer is designed so that the motor unit is located behind the stud wall within a metal enclosure which is supplied with the Dyson Airblade Tap hand dryer (Fig.1). The vertical wall studs must be constructed so as to allow the metal enclosure to be fitted between them (Fig.2). One of the horizontal wall studs must be fitted a) so it holds the main weight of the metal duct and the unit, and b) so it is in the correct position for the tap stem.

For complete instructions, please refer to the printed installation guide supplied with the machine. It's also available online at www.dyson.co.uk/docs

Fig.1



Fig.2

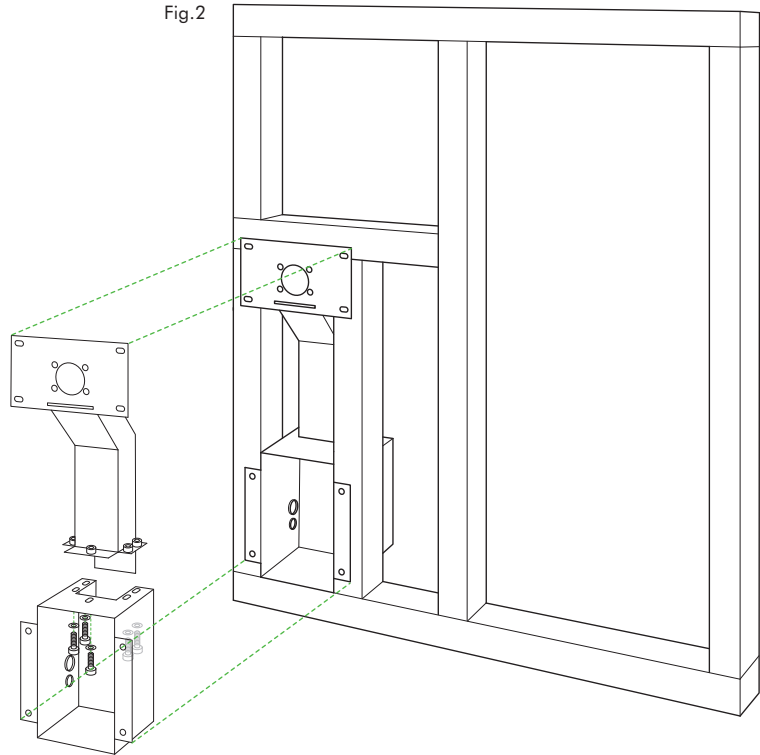


Fig.3

Install plasterboard.

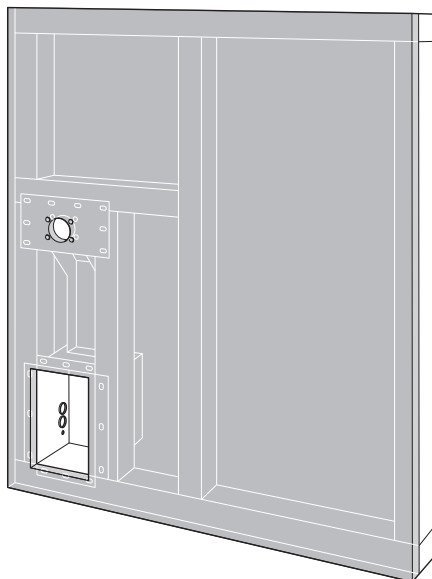
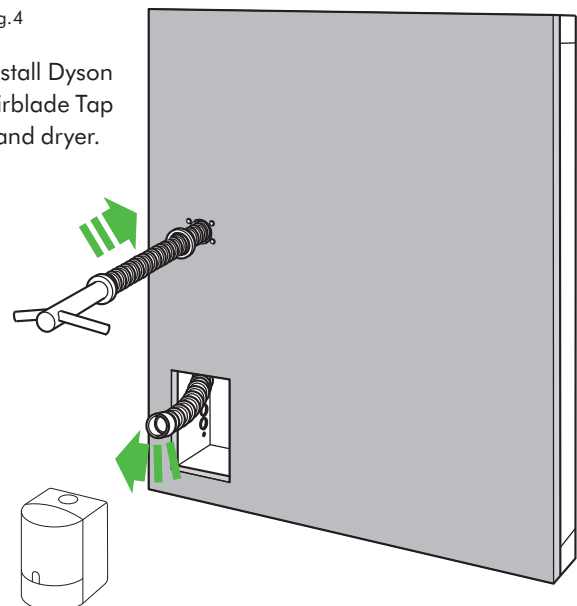


Fig.4

Install Dyson Airblade Tap hand dryer.



TECHNICAL SPECIFICATION

AB AB AB
09 10 11

Electrical

Input voltage/Frequency: 200-240V 50/60Hz

Motor specification: 1600W at 240V

Operating temperature range: 0°-40°C, 32°- 104°F

Heater type: None

Standby power consumption: Less than 0.5 W

Construction

Tap construction: Stainless steel (brushed)

Under counter motor assembly construction: Moulded ABS (main unit)

Exterior screw type: Torx T15

Water ingress protection to IP35

Filter

HEPA filter (glass fibre and fleece prelayer)

99.95% of particles captured

Operation

Touch-free infra-red activation

Hand dry time measurement: 12 seconds
(Measurement based on NSF Protocol P.335)

Operation lock-out period: 30 seconds

Airspeed at apertures: 430 mph / 690 km/h

Maximum altitude: 2,000 metres / 6,561 ft.

Water operation

Water flow rate: 4 l/min normal fitted aerator.

1.9 l/min with low flow aerator supplied with product.

Water temperature control: Thermostatic mixer recommended (not supplied)

Water pressure required: 1-8 bar

Equipped with automatic duty flush –
every 24 hours for 60 seconds after the last use.

Logistics

Net weight: AB09 4.3 kg; AB10 4.6 kg; AB11 9.0 kg

Packaged weight: AB09 5.7 kg; AB10 6.1 kg; AB11 11.4 kg

Packaged dimensions: AB09 H303 × W284 × D286 mm
AB10 H276 × W437 × D280 mm; AB11 H302 × W610 × D375 mm

Sink specification

The Dyson Airblade Tap hand dryer is compatible with most sink types. Ensure plugs are not installed in the sinks and avoid inserts with embedded plugs (e.g. ones that swivel or elevate).

Using a specially designed test method, Dyson engineers evaluated the user experience of a wide range of sink types when used with the Dyson Airblade Tap hand dryer. For further details on our recommended sinks, please see the guide on our website www.dyson.co.uk/docs

We recommend avoiding sinks with the following geometric characteristics; Flat bases immediately surrounding the drain hole. (nominally within a 60 mm radius).

Sloping back and front wall transitions in relation to the base of the sink. See our pre-installation guide for further details: www.dyson.co.uk/docs

Sink dimensions: All sink measurements are internal unless stated otherwise.

Minimum width of sink: 350 mm, Front to back – Minimum: 300 mm

Minimum depth of sink: 100 mm

Maximum depth of sink for AB10 only: 200 mm

(External measurement of vessel sink)

Sink materials: Sinks with highly polished surfaces should be avoided, e.g. reflective chrome. Porcelain or brushed metal is ideal. When multiple taps are installed side-by-side, tap centres should be a minimum of 580 mm apart.

Standard guarantee

5 year parts, 5 year labour.

Product range

AB09 Short



AB10 Long



AB11 Wall



dyson airblade tap

Further documents are available online to download.

Pre-installation guide.

Installation guide.

Dyson Airblade Tap hand dryer brochure.

Cleaning guide.

CAD drawings.

Installation videos.



The Carbon label is a trademark of the Carbon Trust.
The NSF logo is a registered trade mark of NSF International.
HACCP International non-food certification mark is the registered trademark of HACCP International. HACCP International have certified Dyson products based on their recommended installation and operating conditions. Licensed by Dyson.

For further information please contact Dyson.
www.dyson.my